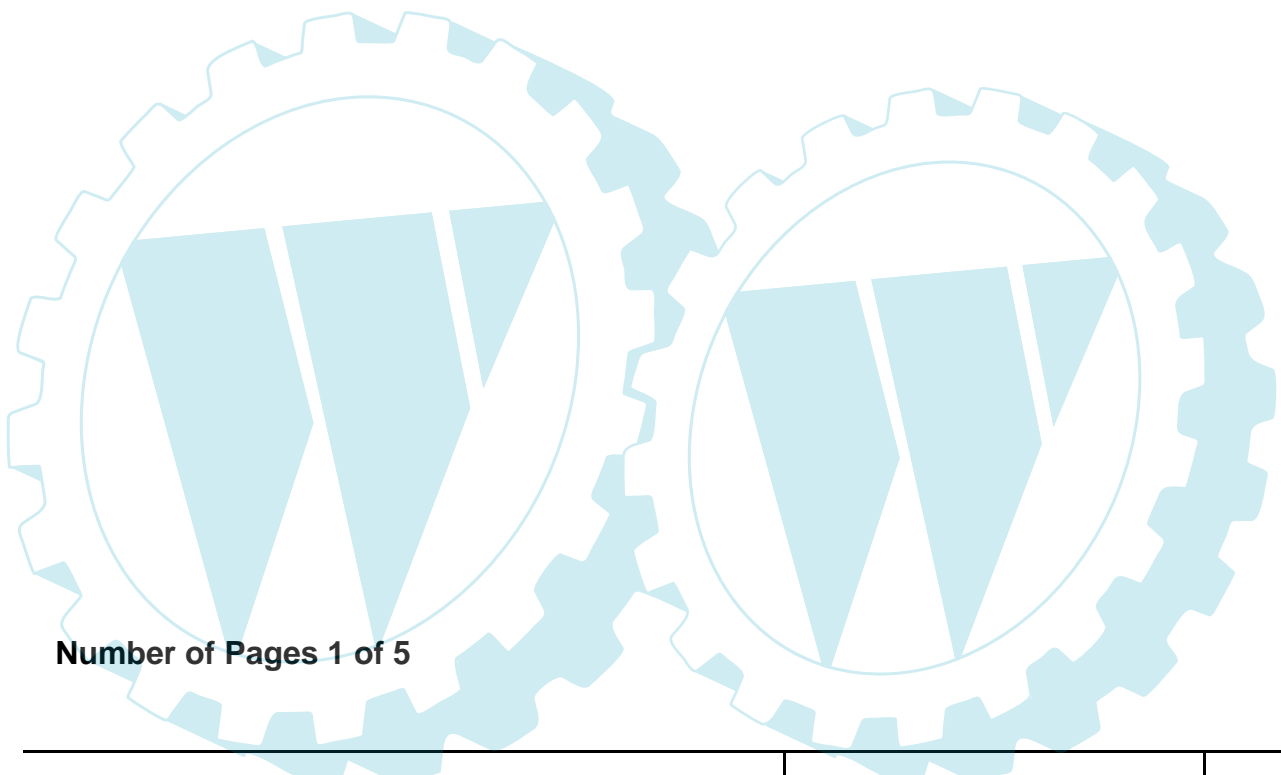




ELECTROLUX OUTDOOR PRODUCTS

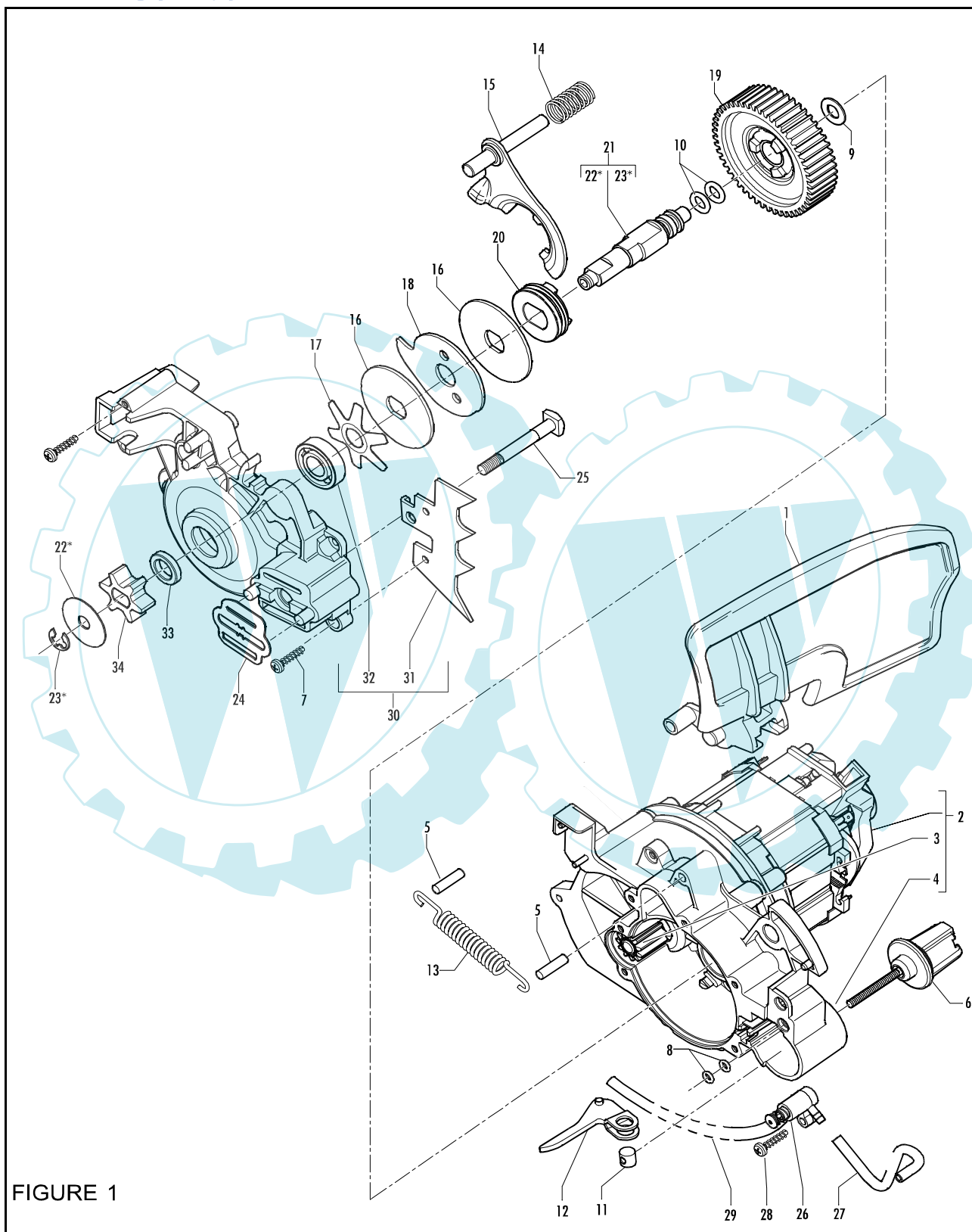
PNC	Type/Prefix/nd	Model	Brand
953900586	05	WOODSHARK 400 ASSY UK	FLYMO



Number of Pages 1 of 5

Factory: IIQ - Valmadrera	Product Group: OP 93
Publication Number: EIPL2004_VP0406004	Petrol Portable
Publication Date: 08/06/04	Sub Group 9434

 **The Electrolux Group. The world's No.1 choice.**



 **The Electrolux Group. The world's No.1 choice.**

Item P/N McC P/N ELX Qty DESCRIPTION

Item P/N McC P/N ELX Qty DESCRIPTION

FIGURE 1

1	5339	538005339	1	brake lever
2	243049	538243049	1	motor ass'y
3	• 5307	538005307	1	pinion
4	• 243048	538243048	1	motor mounting
5	5341	538005341	2	pin
C 6	5327	538005327	1	locking nut
7	240862	538240862	1	screw M4x18
B 8	5355	538005355	2	OR 2015
9	5322	538005322	1	washer
10	5381	538005381	2	OR 3030
C 11	5328	538005328	1	chain tensioner nut
C 12	5329	538005329	1	chain tensioner ass'y
13	5340	538005340	1	brake spring
14	5326	538005326	1	spring
15	5323	538005323	1	rocking lever ass'y
16	5314	538005314	2	driven plate
17	5311	538005311	1	belleville washer
18	5313	538005313	1	plate
C 19	5320	538005320	1	gear
C 20	5315	538005315	1	coupling
21	249259	538249259	1	shaft kit
22	• 5319	538005319	1	washer
23	• 240759	538240759	1	benzig
24	5380	538005380	1	plate
25	241035	538241035	1	stud bolt
A 26	5357	538005357	1	oil pump ass'y
27	5334	538005334	1	hose
28	240862	538240862	1	screw M4x18
29	243046	538243046	1	suction hose
30	5310	538005310	1	chain brake cover ass'y
31	• 5338	538005338	1	spike
B 32	• 5362	538005362	1	bearing 6001 ZZ V2 lds 18
33	5317	538005317	1	pinion spacer
B 34	5318	538005318	1	pinion

A=ALTA ROTAZIONE
B=MEDIA ROTAZIONE
C=ALTA ROTAZIONE
NUOVI CODICI

A=HIGH MOVING
B=MEDIUM MOVING
C=SLOW MOVING
NEW P. NUMBERS

A=HAUTE DEMANDE
B=MOYENNE DEMANDE
C=BASSE DEMANDE
NOUVELLES REFERENCES

A=GROBE NACHFRAGE
B=MITTELMAESSIGE
C=WENIGE NACHFRAGE
NEU CODEX

 **The Electrolux Group. The world's No.1 choice.**

Ihr Ersatzteilspezialist im Internet

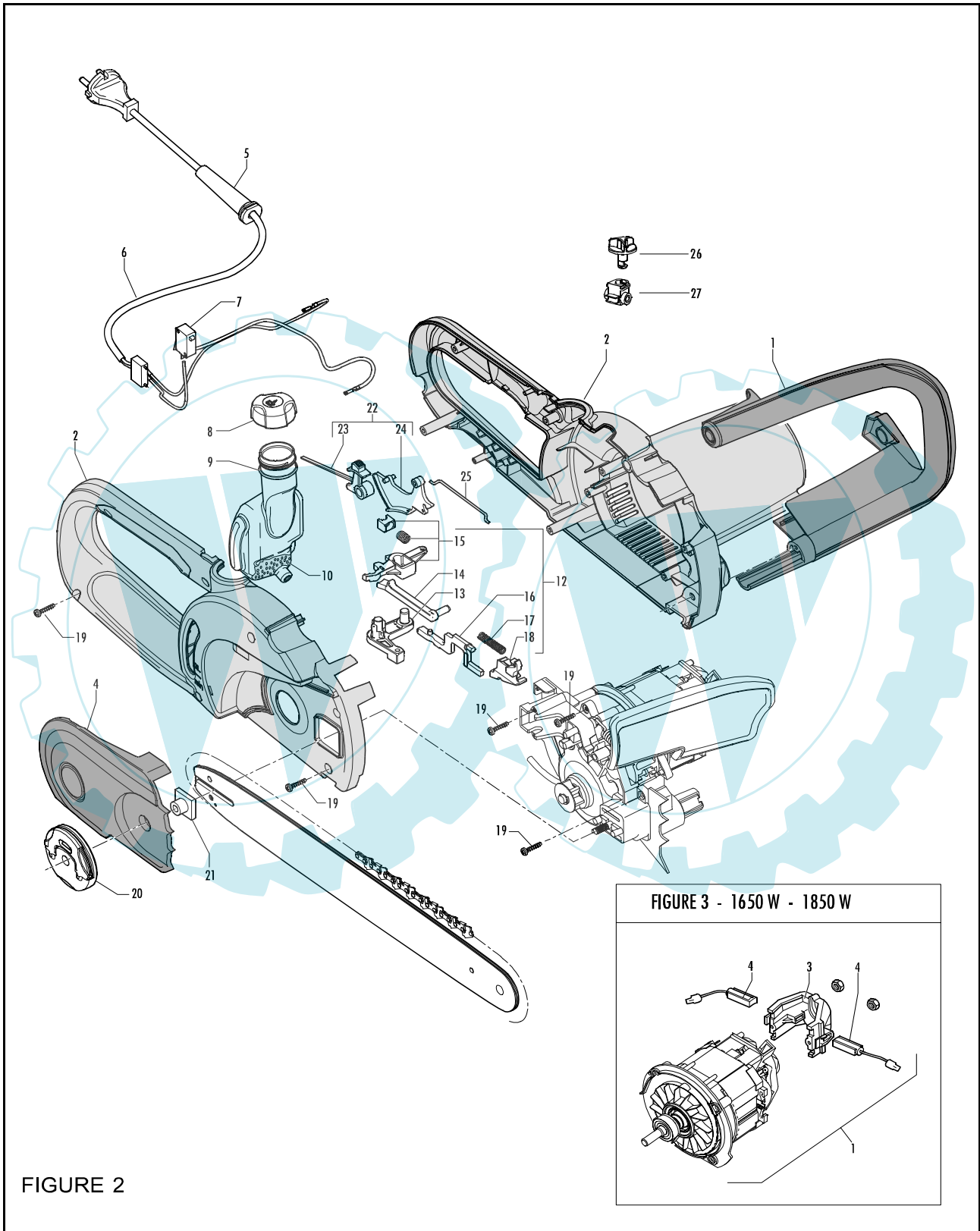


FIGURE 2

FIGURE 3 - 1650 W - 1850 W

The Electrolux Group. The world's No.1 choice.

Item P/N McC P/N ELX Qty DESCRIPTION

Item P/N McC P/N ELX Qty DESCRIPTION

FIGURE 2

FIGURE 3

1	5351	538005351	1	front handle
2	249552	538249522	1	crankcase ass'y
B 4	5349	538005349	1	pinion cover
5	241051	538241051	1	wire cover
6	5373	538005373	1	wires ass'y Schuko
	5377	538005377	1	wires ass'y GB
C 7	242687	538242687	1	micro switch
B 8	5336	538005336	1	oil cap
9	5335	538005335	1	oil tank
B 10	242365	538242365	1	oil filter
11	235612	538235612	1	washer
12	249257	538249257	1	lever kit
13 •	5343	538005343	2	fork lever
14 •	5342	538005342	1	safety lever
15 •	249172	538249172	1	rocking lever ass'y
16 •	5383	538005383	1	safety brake lever
17 •	5385	538005385	1	spring
18 •	5382	538005382	1	brake spring support
19	240862	538240862	14	screw M4x18
A 20	5366	538005366	1	locking nut ass'y
21	5378	538005378	1	spacer
22	249258	538249258	1	trigger kit
23 •	5347	538005347	1	safety lever
24 •	5346	538005346	1	trigger kit
25	5345	538005345	1	tension rod
26	243031	538243031	1	oil pump adjustment
27	243030	538243030	1	oil pump adjustment support

C 1	243049	538243049	1	motor ass'y 1850 W
C 3 •	00248957	538048957	1	brushes holder
C 4 •	00248956	538048956	2	brushes
C 1	243049	538243049	1	motor ass'y 1650 W
C 3 •	00248957	538048957	1	brushes holder
C 4 •	00248956	538048956	2	brushes

A=ALTA ROTAZIONE
B=MEDIA ROTAZIONE
C=ALTA ROTAZIONE
NUOVI CODICI

A=HIGH MOVING
B=MEDIUM MOVING
C=SLOW MOVING
NEW P. NUMBERS

A=HAUTE DEMANDE
B=MOYENNE DEMANDE
C=BASSE DEMANDE
NOUVELLES REFERENCES

A=GROBE NACHFRAGE
B=MITTELMAESSIGE
C=WENIGE NACHFRAGE
NEU CODEX

 **The Electrolux Group. The world's No.1 choice.**